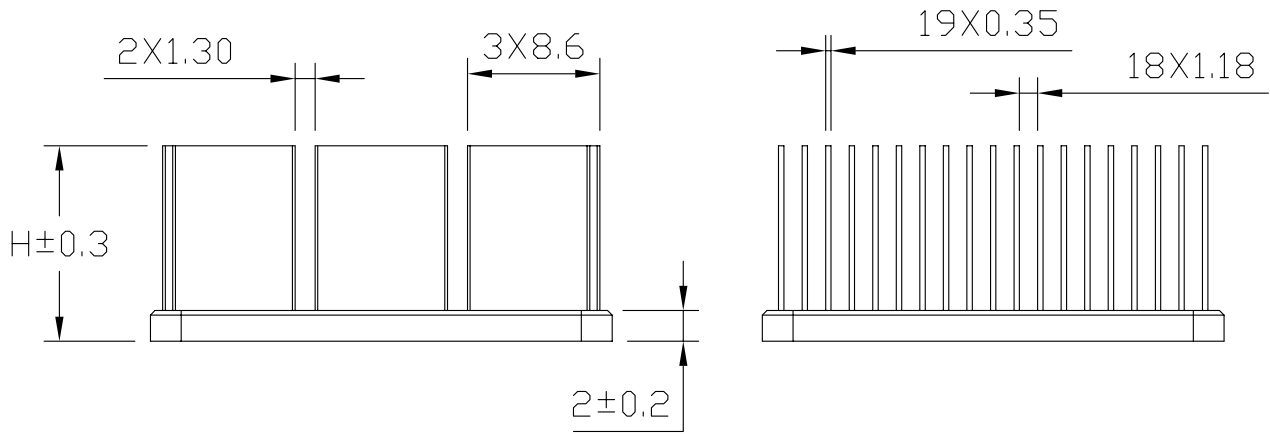
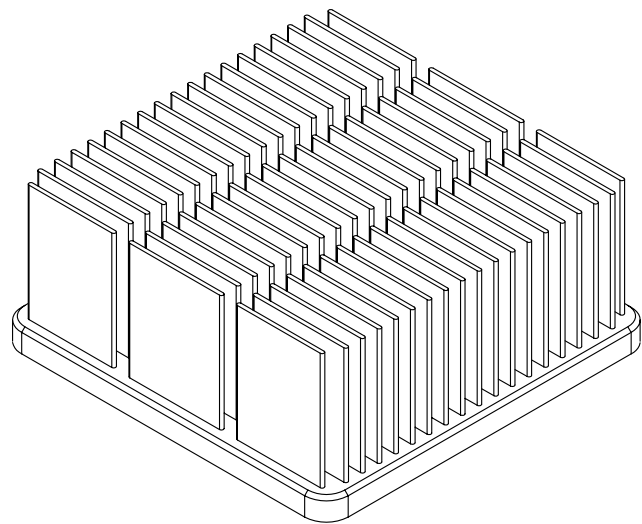
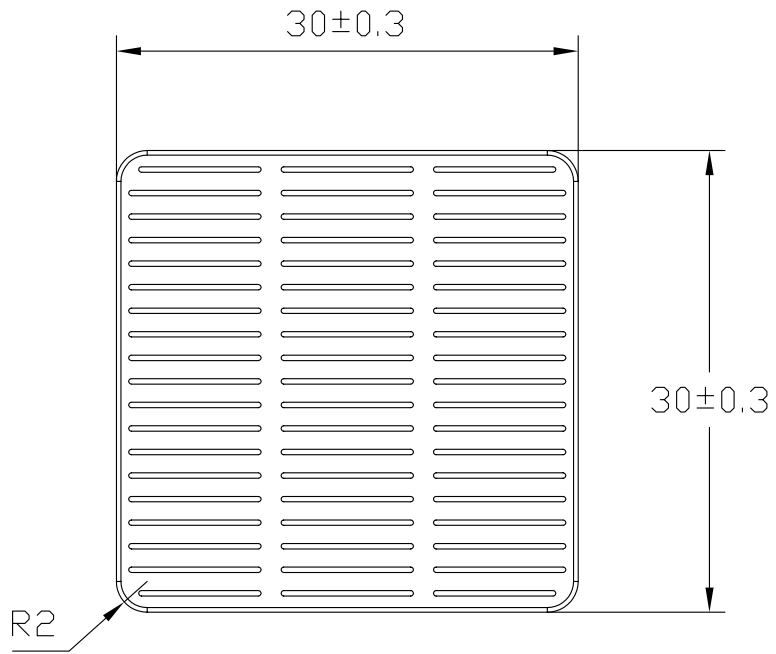



REV	ALTERATION	DATE	CHECKED
A	NEWRELEASE	03.17.2006	Wen
B			
C			
D			
E			



NOTES:

MODEL NO:	HEIGHT / H
MBH30001-6L/2.0	6.3
MBH30001-10L/2.0	9.5
MBH30001-13L/2.0	12.7

UNIT: MM	
TOLERANCE TABLE	
X.	= ± 0.30
X.X	= ± 0.20
X.XX	= ± 0.10
ANGLE	= ± 1°

FINISH: BLACK ANODIZE	 <b>MALICO INC.</b>			
MATERIAL: AL6063				
DATE: 03.17.2006	APPROVED: Sammy	CHECKED: Audi	DRAWN: Wen	REV: A
TITLE: HEAT SINK	MODEL NO: MBH30001-XXL/2.0			