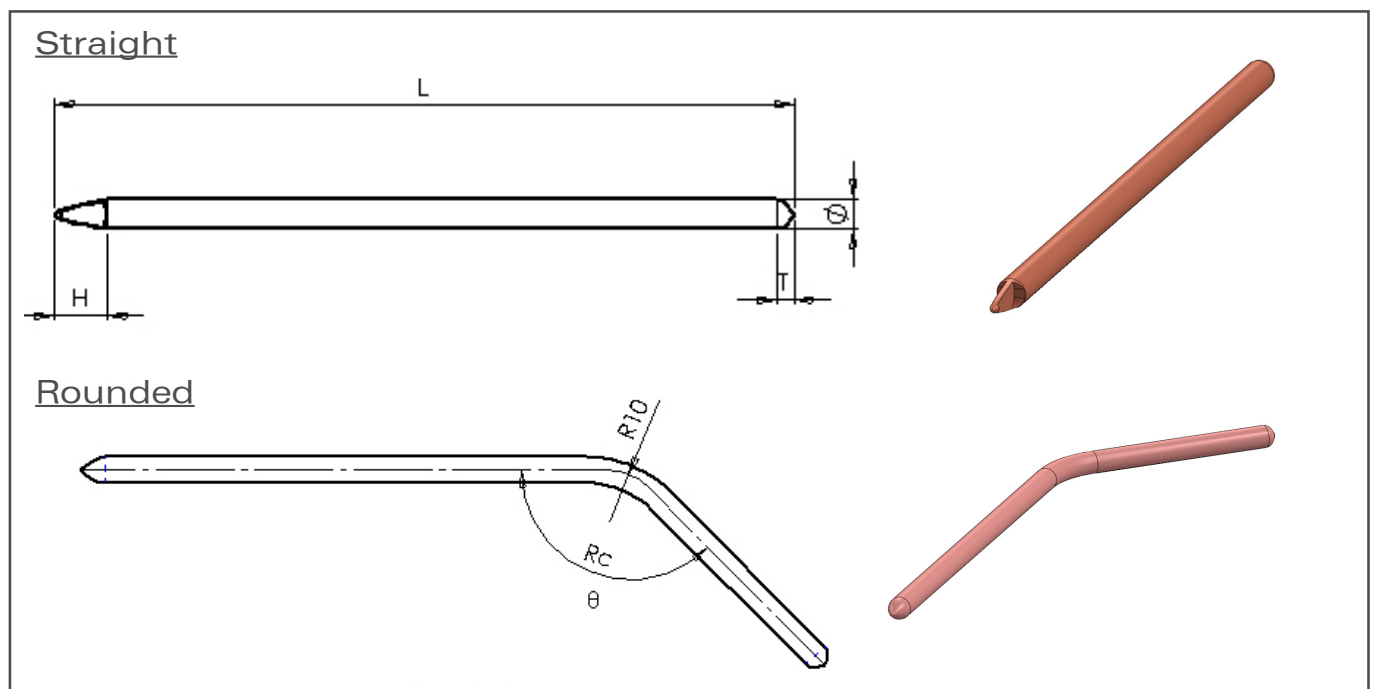


### Sintered Heat Pipes - Data sheet

Part number	Diameter [mm]	Length [mm]	Q: input power [W]	Rc [mm]	Head end [mm]	Tail end [mm]
SF-03-100-S	3	100	15	9	5	3
SF-03-150-S	3	150	13	9	5	3
SF-03-200-S	3	200	10	9	5	3
SF-03-250-S	3	250	6	9	5	3
SF-04-100-S	4	100	24	12	7	3
SF-04-150-S	4	150	20	12	7	3
SF-04-200-S	4	200	16	12	7	3
SF-05-150-S	5	150	35	15	10	3
SF-05-250-S	5	250	24	15	10	3
SF-06-100-S	6	100	51	18	11.5	3
SF-06-150-S	6	150	46	18	11.5	3
SF-06-200-S	6	200	36	18	11.5	3
SF-06-300-S	6	300	28	18	11.5	3
SF-08-150-S	8	150	71	24	15	6
SF-08-200-S	8	200	61	24	15	6
SF-08-300-S	8	300	40	24	15	6
SF-08-350-S	8	350	32	24	15	6
SF-10-150-S	10	150	85	30	18	6
SF-10-250-S	10	250	59	30	18	6
SF-12-150-S	12	150	98	36	20	6
SF-12-300-S	12	300	50	36	18	6



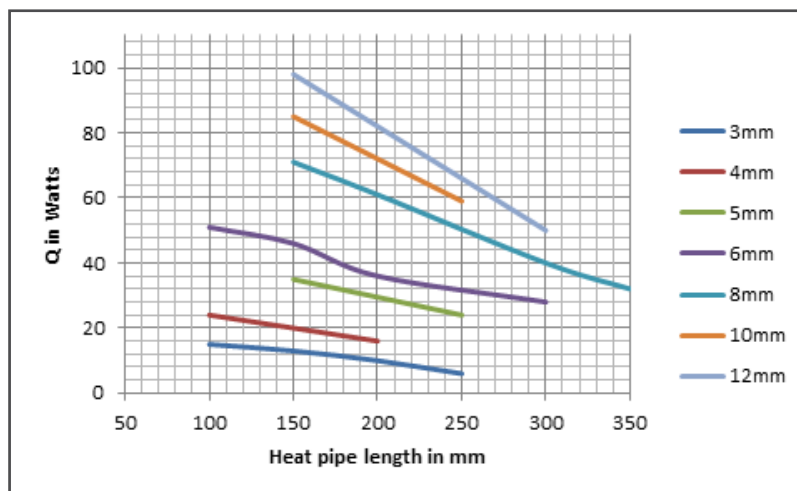
### Sintered Heat Pipes - Data sheet

#### Approvals list

Shape	
Round	3 to 12mm diameter
Bending / shape	
	Refer to image
Material	
	Copper C1020
Working fluid	
	De-ionised water
Wick	
	Sintered

Fail temp (no cooling)	
Round	250°C leakage
Max heat transfer	
	0 to 98W
Guarantee	
	3 years

Heat pipe length (mm) v Q (Watts) of pumping power for each diameter pipe



Compressed thickness v power for 6mm diameter, 150mm length heat pipe

